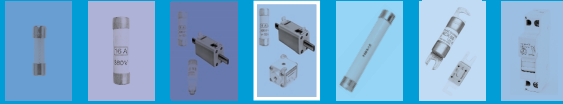


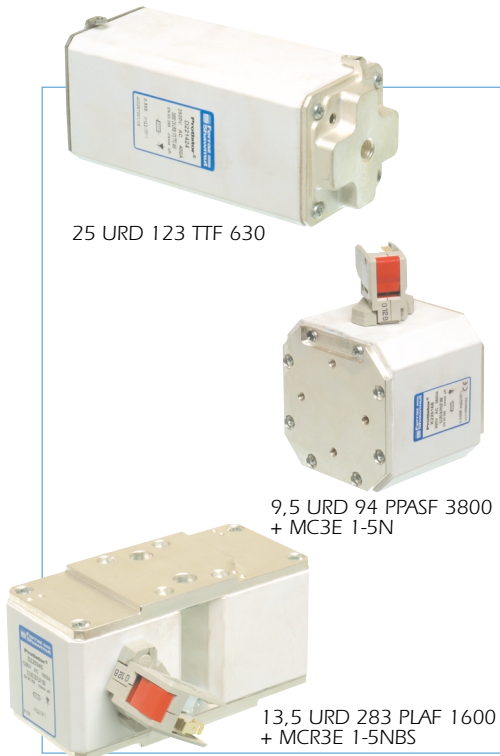
Semi conductor PSC - LR fuses





Semiconductor Fuses

Large rectifier PSC fuse selection



Ferraz Shawmut PSC-LR fuse-links provide maximum flexibility in equipment design and ultimate protection for today's power conversion equipment. These square body fuse-links are available in various body sizes with a broad range of ampere ratings allowing the greatest flexibility in equipment design.

The Ferraz Shawmut PSC-LR fuse range has been engineered to provide state of the art protection for high power semiconductors such as diodes, thyristors, GTO's, IGCT's and IGBT's.

They have pure silver fuse elements embedded in solidified sand which provides optimized I²t and high interrupting rating. All contact surfaces are plated and all hardware non-magnetic.

All fuses are standard with a low voltage blown fuse indicator. This indicator can operate a microswitch which is easily mounted directly onto the fuse in service.



HIGHLIGHTS

- Highly current limiting.
- Isolating fuse
- High breaking capacities
- High capability of selection in case of external fault
- Worldwide acceptance.
- Superior cycling ability.
- High withstanding in rush current and overloads
- Optimized coordination ratio

APPLICATIONS

Protection of large rectifiers, inverters, static transfer switch, AC & DC drives and UPS systems.

Ratings

AC: up to 10 000A
500 V - 3 800V
100 - 240 kA IR
DC: Consult Factory

Approvals

AC: Tested to IEC 60269-4

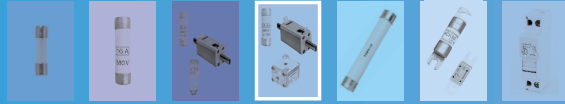
Features/Benefits

Customized terminals available under request

Wide range of mounting styles

Broad range of ampere ratings in each body size for design flexibility

IEC 269-4 compliance for fuses for worldwide semiconductor applications



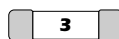
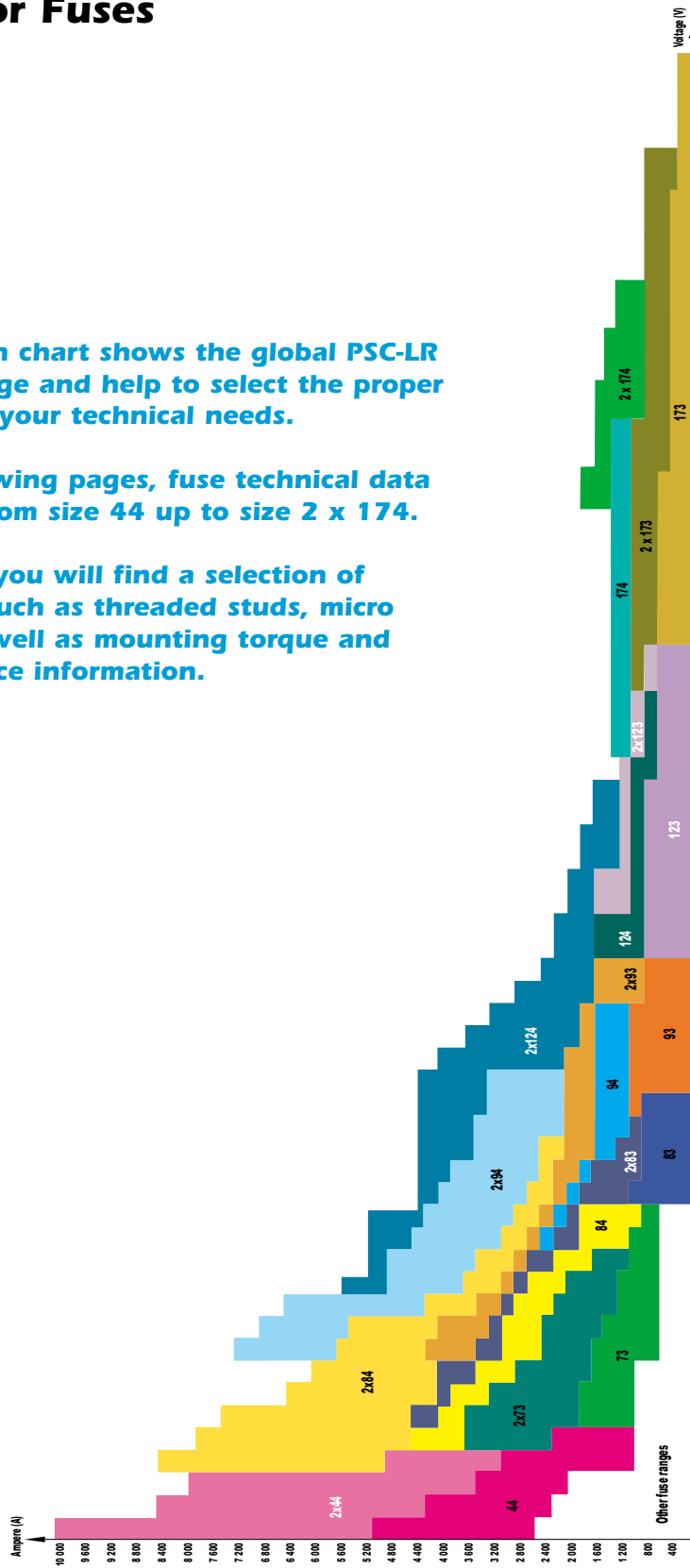
Semiconductor Fuses

PSC - LR range

This selection chart shows the global PSC-LR fuse link range and help to select the proper fuse size for your technical needs.

On the following pages, fuse technical data are shown from size 44 up to size 2 x 174.

In addition, you will find a selection of accessories such as threaded studs, micro switches as well as mounting torque and clamping force information.



non-conductual devices

PSC - LR range



Semiconductor Fuses

500 - 750 V
10 000 - 1200 A

PSC - LR range - Size 44

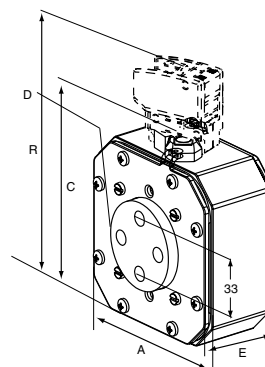
Size	Ratings	Voltage	Pre-Arcing	Total I ² t @ Un	I @ 10ms	Power losses (W)		Breaking capacities (kA)
	(A) In	(V) Un	I ² t @ 1ms I ² tp (kA ² s)	(kA ² s)	(A)	In	0,8In	
	1 200	750	110	617	5 970	285	142	215
	1 350	750	158	890	7 200	295	148	215
	1 600	750	290	1 600	9 850	320	160	215
	1 800	750	415	2 350	11 650	342	171	215
	2 000	750	580	3 250	13 750	350	175	215
	2 200	750	740	4 100	15 530	380	190	215
	2 400	750	990	5 500	18 000	395	190	215
	2 500	700	1 100	5 650	18 900	405	203	190
	2 700	700	1 350	6 900	21 000	420	210	190
44	2 800	700	1 510	7 750	22 200	430	215	190
end contacts	3 000	700	1 865	9 500	25 000	440	220	190
	3 200	660	2 220	10 500	27 000	460	230	215
	3 300	660	2 550	12 100	28 800	466	233	215
	3 400	660	2 730	13 000	30 000	475	238	215
	3 500	660	3 000	14 300	31 500	480	240	215
	3 600	600	3 200	13 600	32 500	485	243	225
	3 700	600	3 500	14 200	34 000	495	248	225
	4 000	600	4 350	18 500	38 000	510	255	225
	4 200	600	5 000	21 200	40 500	525	263	225
	4 400	550	6 170	24 000	45 000	540	270	227
	4 700	550	7 530	29 000	49 500	550	275	227
	5 000	550	9 650	37 300	56 000	570	285	227
	5 750	500	14 000	49 500	67 500	650	325	230
	1 350	750	110	617	5 970	380	190	215
	1 500	750	158	890	7 200	385	193	215
	1 750	750	290	1 600	9 850	390	195	215
	2 000	750	415	2 350	11 650	420	210	215
	2 200	750	580	3 250	13 750	425	213	215
	2 400	750	740	4 100	15 530	455	228	215
	2 600	750	990	5 500	18 000	460	230	215
44	2 700	700	1 100	5 650	18 900	480	240	190
press pack	2 900	700	1 350	6 900	21 000	490	245	190
	3 000	700	1 510	7 750	22 200	500	250	190
	3 200	700	1 865	9 500	25 000	510	255	190
	3 500	660	2 220	10 500	27 000	545	273	215
	3 600	660	2 550	12 100	28 800	548	274	215
	3 700	660	2 730	13 000	30 000	550	275	215
	3 800	660	3 000	14 300	31 500	560	280	215
	3 900	600	3 200	13 600	32 500	575	288	225
	4 000	600	3 500	14 200	34 000	580	290	225
	4 200	600	4 350	18 500	38 000	590	295	225
	4 400	600	5 000	21 200	40 500	600	300	225
	4 800	550	6 170	24 000	45 000	625	313	227
	5 500	550	9 650	37 300	56 000	660	330	227
	6 200	500	14 000	49 500	67 500	750	375	230
	2 400	700	440	2 250	11 940	285	570	215
	2 700	700	632	3 250	14 000	590	295	215
	3 200	700	1 160	6 000	19 700	640	320	215
	3 600	700	1 660	8 500	23 300	684	342	215
	4 000	700	2 320	12 000	27 500	700	350	215
	4 400	700	2 970	15 200	31 060	760	380	215
	4 800	700	3 960	20 000	36 000	790	395	215
	5 000	660	4 400	20 800	37 800	810	405	215
2x44	5 400	660	5 400	25 600	42 000	840	420	215
double body	5 600	660	6 040	28 700	44 400	860	430	215
press pack	6 000	660	7 460	35 600	50 000	880	440	215
or end contacts	6 400	660	8 880	42 000	54 000	920	460	215
	6 600	600	10 200	43 200	57 600	932	466	225
	6 800	600	10 920	46 000	60 000	950	475	225
	7 000	600	12 000	51 400	63 000	960	480	225
	7 200	600	12 800	54 400	65 000	970	490	225
	7 400	600	14 000	59 000	68 000	990	495	225
	8 000	600	17 400	74 000	76 000	1 020	510	225
	8 400	600	20 000	85 000	81 000	1 050	525	225
	8 500	550	24 700	95 700	90 000	1 150	575	228
	9 000	500	38 600	137 400	112 000	1 200	600	230
	10 000	500	56 000	198 000	135 000	1 300	650	230



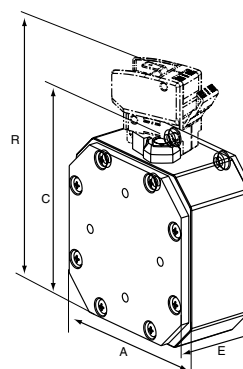
Semiconductor Fuses

PSC - LR range - Size 44

Size	Catalog Number	Weight (g)	Packaging
	7,5 URD 44 TOF 1200		
	7,5 URD 44 TOF 1350		
	7,5 URD 44 TOF 1600		
	7,5 URD 44 TOF 1800		
	7,5 URD 44 TOF 2240		
	7,5 URD 44 TOF 2200		
	7,5 URD 44 TOF 2400		
	7 URD 44 TOF 2500		
	7 URD 44 TOF 2800		
	7 URD 44 TOF 3000		
44	6,6 URD 44 TOF 3200		
end contacts	6,6 URD 44 TOF 3300		2240 1
	6,6 URD 44 TOF 3400		
	6,6 URD 44 TOF 3500		
	6 URD 44 TOF 4000		
	6 URD 44 TOF 4200		
	5,5 URD 44 TOF 4400		
	5,5 URD 44 TOF 4700		
	5,5 URD 44 TOF 5000		
	5 URD 44 TOF 5750		
	7,5 URD 44 PPASF 1350		
	7,5 URD 44 PPASF 1500		
	7,5 URD 44 PPASF 1750		
	7,5 URD 44 PPASF 2000		
	7,5 URD 44 PPASF 2200		
	7,5 URD 44 PPASF 2400		
44	7,5 URD 44 PPASF 2600		
press pack	7 URD 44 PPASF 2700		2400 1
	7 URD 44 PPASF 2900		
	7 URD 44 PPASF 3000		
	7 URD 44 PPASF 3200		
	6,6 URD 44 PPASF 3500		
	6,6 URD 44 PPASF 3600		
	6,6 URD 44 PPASF 3800		
	6 URD 44 PPASF 3900		
	6 URD 44 PPASF 4000		
	6 URD 44 PPASF 4200		
	6 URD 44 PPASF 4400		
	5,5 URD 44 PPASF 4800		
	5,5 URD 44 PPASF 5500		
	5 URD 44 PPASF 5600		
	5 URD 44 PPASF 6200		



TOF
End contacts



PPASF
Press Pack

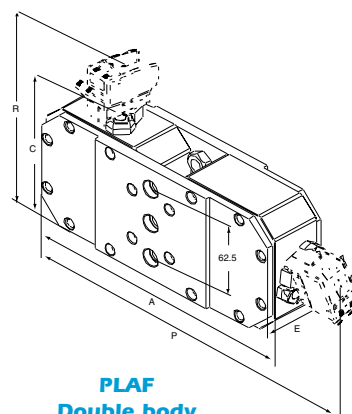


Semiconductor Fuses




PSC - LR range - Size 44

Size	Catalog Number	Weight (g)	Packaging
	7 URD 244 PLAF 2400		
	7 URD 244 PLAF 2700		
	7 URD 244 PLAF 3200		
	7 URD 244 PLAF 3600		
	7 URD 244 PLAF 4000		
	7 URD 244 PLAF 4400		
	7 URD 244 PLAF 4800		
2x44*	6,6 URD 244 PLAF 5000		
double body	6,6 URD 244 PLAF 5600	5300	I
end contacts	6,6 URD 244 PLAF 6000		
	6,6 URD 244 PLAF 6400		
	6 URD 244 PLAF 6600		
	6 URD 244 PLAF 7000		
	6 URD 244 PLAF 7400		
	6 URD 244 PLAF 8000		
	6 URD 244 PLAF 8400		
	5,5 URD 244 PLAF 8500		
	5 URD 244 PLAF 9000		
	5 URD 244 PLAF 10000		

* Press pack available on request



PLAF
Double body
End contacts

Microswitches : MC3E1-5N * - Ref. D310020
 MC3E1-5NBS * - Ref. E310021 Insulation voltage 1250 VAC - DC (data p 21)
 MC3E1-9NBS * - Ref. F310022
 MC3E1-5NET - Ref. L310027

Threaded studs and microswitches ordered separately

Size	A	C ⁽¹⁾	D	E ^{+1.7}	d	G ^{+0.1} threaded depth	P	R
44 TOF	103 4.06"	118 4.65"	52 2.05"	65 2.56"	M 10	9 0.35"	-	150 5.91"
44 PPASF	103 4.06"	118 4.65"	-	54 2.13"	-	-	-	150 5.91"
244 PLAF	243 9.57"	118 4.65"	-	61 2.40"	M 12	15 0.59"	275 10.82"	150 5.91"

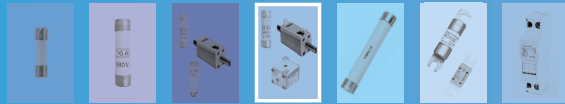
Dimension in mm and inches

See studs p. 23

See mounting torque and clamping force information p 23

(1) Trip indicator extended

(*) Pending



Semiconductor Fuses

650 - 1250 V
4800 - 800 A

PSC - LR range - 73

Size	Ratings	Voltage (V) Un	Pre-Arcing Pt @ 1ms I ² tp (kA ² s)	Total I ² t @ Un (kA ² s)	I @ 10ms (A)	Power losses (W)		Breaking capacities (kA)
	(A) In					0,8In	In	
	800	1250	170	1155	7500	80	160	110
	900	1250	235	1620	8800	85	170	110
	1000	1200	385	2500	12000	85	170	120
	1050	1200	440	2850	12500	85	170	120
	1100	1150	530	3330	13500	85	170	220
73	1250	1100	630	3650	15000	100	200	240
end contacts	1400	1000	860	4300	17000	110	220	220
	1500	950	1150	5500	20000	115	230	220
	1550	950	1270	6025	21000	120	240	220
	1750	850	1700	7150	24000	125	250	230
	1900	850	2100	9000	27000	140	280	230
	2200	750	2750	10200	31000	148	295	212
	2400	700	3950	13600	37000	153	305	212
	1600	1150	680	4200	8400	165	330	115
	1800	1150	940	5800	11600	170	340	115
	2000	1100	1540	8800	17600	170	340	220
	2100	1100	1760	10100	20200	170	340	220
2x73	2200	1050	2120	11500	23000	170	340	220
press pack	2500	1000	2520	12500	25000	200	400	220
or end contacts	2800	900	3440	15500	31000	220	440	220
	3000	850	4600	19500	39000	230	460	220
	3100	850	5080	21600	43200	240	480	220
	3500	850	6800	28600	57200	250	500	220
	3800	850	8400	36000	72000	280	560	220
	4400	700	11000	37700	75400	295	590	230
	4800	650	15800	50000	100000	305	610	230

PSC - LR range

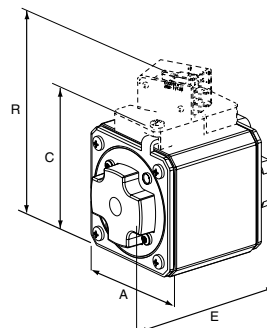


Semiconductor Fuses

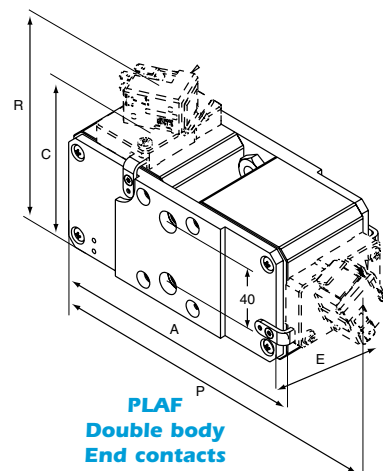
PSC - LR range - Size 73

Size	Catalog Number	Weight (g)	Packaging
	12,5 URD 73 TTF 0800		
	12,5 URD 73 TTF 0900		
	12 URD 73 TTF 1000		
	12 URD 73 TTF 1050		
	11,5 URD 73 TTF 1100		
73	11 URD 73 TTF 1250		
end contacts	10 URD 73 TTF 1400	430	3
	9,5 URD 73 TTF 1500		
	9,5 URD 73 TTF 1550		
	8,5 URD 73 TTF 1750		
	8,5 URD 73 TTF 1900		
	7,5 URD 73 TTF 2200		
	7 URD 73 TTF 2400		
	11,5 URD 273 PLAF 1600		
	11,5 URD 273 PLAF 1800		
	11 URD 273 PLAF 2000		
	11 URD 273 PLAF 2100		
	10,5 URD 273 PLAF 2200		
2x73*	10 URD 273 PLAF 2500	950	1
double body	9 URD 273 PLAF 2800		
end contacts	8,5 URD 273 PLAF 3000		
	8,5 URD 273 PLAF 3100		
	8,5 URD 273 PLAF 3500		
	8,5 URD 273 PLAF 3800		
	7 URD 273 PLAF 4400		
	6,5 URD 273 PLAF 4800		


* Press pack available on request



TTF
End contacts



PLAF
Double body
End contacts

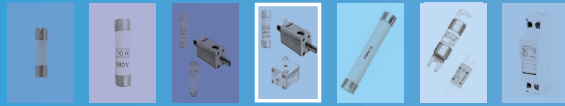
Microswitches : MS7V 1-5 - Ref. J310002
 MS7V 1-5  - Ref. Z310039
 MS7V 1-5 BS - Ref. K310003
 MS7V 1-9 BS - Ref. P310007
 MS7V 1-5 ET - Ref. S310010

Insulation voltage 1250 VAC-DC (data p 21)

Threaded studs and microswitches supplied separately

Size	A	C ⁽¹⁾	D	E ^{±1.7}	d	G ^{±0.1} threaded depth	P	R
73 TTF	74,5 2-15/16"	79,5 3-1/8"	52 2-1/16"	90,9 3.58"	M 12	9 0.35"	-	107,5 4.23"
273 PLAF	170,5 6.71"	78,5 3.09"	-	78 3.07"	M 10	15 0.59"	204,5 8.05"	107,5 4.23"

Dimension in mm and inches
 See studs p. 23
 See mounting torque and clamping force information p 23
 (1) Trip indicator extended



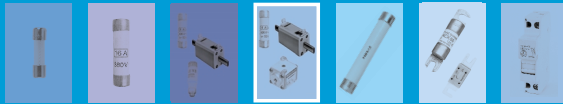
Semiconductor Fuses

800 - 1500 V
4400 - 630 A

PSC - LR range - Size 83

Size	Ratings	Voltage	Pre-Arcing	Total I ² t @ Un	I @ 10ms	Power losses (W)		Breaking capacities (kA)
	(A) In	(V) Un	I ² t @ 1ms I ² tp (kA ² s)	I ² t (kA ² s)	(A)	0,8In	In	
	630	1500	89	635	5400	60	120	173
	725	1500	139	990	6800	73	145	173
	800	1500	186	1330	8000	79	157	173
	850	1500	223	1590	8500	85	170	173
	900	1300	235	1700	8800	68	135	148
	950	1300	355	2600	11000	83	165	148
83	1000	1250	385	2650	12000	85	170	115
end contacts	1050	1250	440	3020	12500	88	175	112
	1100	1200	530	3450	13500	88	175	115
	1250	1150	630	3950	15000	105	210	220
	1400	1100	860	4950	17000	110	220	115
	1550	950	1270	6020	21000	123	245	115
	1800	900	1755	7900	24500	130	260	235
	2000	850	2100	8900	26500	140	280	235
	2200	850	2750	11660	31000	150	300	235
	2400	750	3950	14700	37000	155	310	212
	900	1450	172	1170	7470	63	125	158
	1100	1450	300	3000	9900	93	185	158
	1250	1350	356	2225	10800	120	240	115
	1450	1350	556	3475	13600	145	290	115
	1600	1350	744	4700	16000	158	315	115
	1700	1350	892	5630	17000	170	340	115
2x83	1800	1300	940	6800	17600	135	270	175
double body	1900	1300	1420	10400	22000	165	330	175
press pack	2000	1150	1540	9600	24000	170	340	115
or end contacts	2100	1150	1760	11000	25000	175	350	111
	2200	1100	2120	12400	27000	175	350	220
	2500	1100	2520	14500	30000	210	420	220
	2800	1000	3440	17200	34000	220	440	220
	3100	850	5080	21500	42000	245	490	220
	3600	850	7020	29850	49000	260	520	235
	4000	800	8400	33600	53000	280	560	212
	4400	800	11000	43900	62000	300	600	212
	4800	700	15800	54300	74000	310	620	230

PSC - LR range



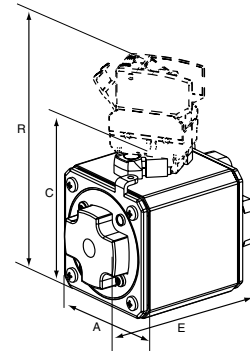
Semiconductor Fuses

PSC - LR range - 83

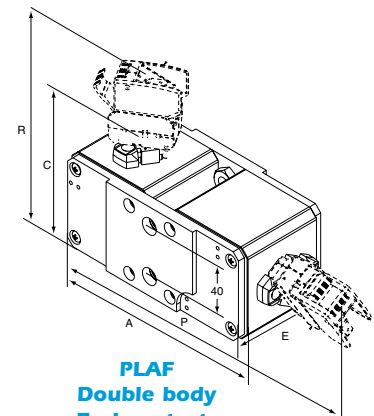
Size	Catalog Number	Weight (g)	Packaging
	15 URD 83 TTF 0630		
	15 URD 83 TTF 0725		
	15 URD 83 TTF 0800		
	15 URD 83 TTF 0850		
	13 URD 83 TTF 0900		
	13 URD 83 TTF 0950		
	12,5 URD 83 TTF 1000		
	12,5 URD 83 TTF 1050		
83	12 URD 83 TTF 1100		
end contacts	11,5 URD 83 TTF 1250	1600	1
	11 URD 83 TTF 1400		
	9,5 URD 83 TTF 1550		
	9 URD 83 TTF 1800		
	8,5 URD 83 TTF 2000		
	8,5 URD 83 TTF 2200		
	7,5 URD 83 TTF 2400		
	14,5 URD 283 PLAF 0900		
	14,5 URD 283 PLAF 1100		
	12,5 URD 283 PLAF 1350		
	13,5 URD 283 PLAF 1450		
	13,5 URD 283 PLAF 1600		
	13,5 URD 283 PLAF 1700		
2x83*	13 URD 283 PLAF 1800		
double body	13 URD 283 PLAF 1900		
end contacts	11,5 URD 283 PLAF 2000	3350	1
	11,5 URD 283 PLAF 2100		
	11 URD 283 PLAF 2200		
	11 URD 283 PLAF 2500		
	10 URD 283 PLAF 2800		
	8,5 URD 283 PLAF 3100		
	8,5 URD 283 PLAF 3600		
	8 URD 283 PLAF 4000		
	8 URD 283 PLAF 4400		
	7 URD 283 PLAF 4800		

* Press pack available on request

Microswitches :	MC3E1-5N		* - Ref. D310020	
	MC3E1-5NBS		* - Ref. E310021	Insulation voltage 1250 VAC - DC (data p 21)
	MC3E1-9NBS		* - Ref. F310022	
	MC3E1-5NET		- Ref. L310027	
	MCR3E1-5N		* - Ref. G310023	
	MCR3E1-5NBS		* - Ref. P310030	
	MCR3E1-9NBS		* - Ref. H310024	Insulation voltage 2200 VAC - DC (data p 21)
	MCR3E1-5NET		- Ref. Q310031	



TTF
End contacts



PLAF
Double body
End contacts

Threaded studs and microswitches ordered separately

Size	A	C ⁽¹⁾	D	E ^{+1,7}	d	G ^{+0,1}	P	R
83 TTF	73	88	-	96,5	M12	9	-	135
	2.9"	3.5"		3.8"		0.35"		5.31"
283 PLAF	180	88	-	84	M 10	15	227	135
	7.9"	3.5"		3.31"		19.32"	8.94"	5.31"

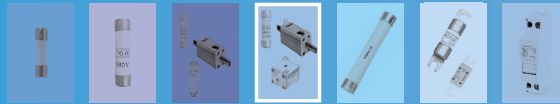
Dimension in mm and inches

See studs p. 23

See mounting torque and clamping force information p 23

(1) Trip indicator extended

(*) Pending



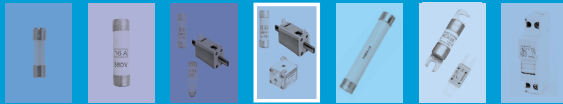
Semiconductor Fuses

PSC - LR range - Size 84

700 - 1450 V
8400 - 2000 A

PSC - LR range

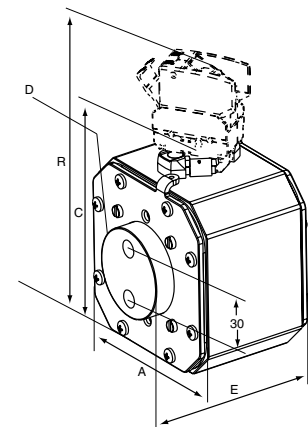
Size	Rated	Voltage	Pre-Arcing	Total I ² t @ Un	I @ 10ms	Power losses (W)		Breaking capacities
	(A)					(V)	I ² t @ 1ms	
	In	Un	I ² tp (kA ² s)	(kA ² s)	(A)	0,8In	In	(kA)
	1400	1250	635	4250	15000	143	285	112
	1500	1250	740	4960	16000	147	293	112
	1700	1250	990	6600	18000	150	300	112
	1800	1150	1050	6200	19000	160	320	115
	1900	1150	1250	7350	20000	165	330	115
	2000	1100	1530	8200	23000	170	340	115
	2100	1100	1750	9350	24000	173	345	115
	2200	1100	2035	11000	26000	175	350	115
	2300	1100	2270	12200	27500	180	360	115
84	2400	1100	2610	14000	29500	183	365	115
end contacts	2500	1000	2970	14000	31000	190	380	230
	2600	1000	3320	15800	33000	195	390	230
	2700	1000	3700	17500	35000	198	395	230
	2750	1000	3950	19000	36000	198	395	230
	2900	900	4650	20000	39000	200	400	210
	3000	900	5185	22000	41500	200	400	210
	3200	900	6170	26000	45000	210	420	210
	3400	800	7530	28200	50000	215	430	220
	3500	800	8100	30400	52000	218	435	220
	3700	800	9650	36200	56000	220	440	220
	4000	750	12500	43000	65000	233	465	198
	4200	750	14000	49500	67500	238	475	198
	1550	1250	635	4250	15000	180	360	112
	1650	1250	740	4960	16000	185	370	112
	1900	1250	990	6600	18000	190	380	112
	2000	1150	1050	6200	19000	198	395	115
	2100	1150	1250	7350	20000	205	410	115
	2200	1100	1530	8200	23000	208	415	115
	2300	1100	1750	9350	24000	209	417	115
	2400	1100	2035	11000	26000	210	420	115
	2500	1100	2270	12200	27500	215	430	115
84	2600	1100	2610	14000	29500	218	435	115
press pack	2700	1000	2970	14000	31000	220	440	230
	2800	1000	3320	15800	33000	225	450	230
	2900	1000	3700	17500	35000	230	460	230
	3000	1000	3950	19000	36000	233	465	230
	3100	900	4650	20000	39000	235	470	210
	3200	900	5185	22000	41500	238	475	210
	3350	900	6170	26000	45000	240	480	210
	3600	800	7530	28200	50000	248	495	220
	3700	800	8100	30400	52000	250	500	220
	3850	800	9650	36200	56000	255	510	220
	4300	750	12500	43000	65000	263	525	198
	4500	750	14000	49500	67500	268	535	198
	2000	1450	990	6550	18500	210	420	154
	2800	1350	2860	17200	31000	243	485	175
	3000	1200	2960	18500	32000	293	586	115
	3400	1150	3960	23000	36000	300	600	115
	3600	1050	4200	21500	38000	320	640	190
	3800	1050	5000	25300	40000	330	660	190
	4000	1000	6120	29000	46000	340	680	240
	4200	1000	7000	33000	48000	345	690	240
2x84	4400	1000	8150	38500	52000	355	710	240
double body	4600	1000	9000	43000	55000	360	720	235
press pack	4800	1000	10440	49000	59000	365	730	240
or end contacts	5000	1000	11880	56000	62000	380	760	240
	5200	1000	13280	63200	66000	390	780	240
	5400	1000	14800	70000	70000	390	780	240
	5500	1000	15800	75000	72000	395	790	240
	5800	850	15800	74000	78000	400	800	220
	6000	850	20740	83000	83000	400	800	220
	6400	850	24700	98000	90000	420	840	220
	6800	800	30120	113000	100000	430	860	215
	7000	800	32500	121000	104000	435	870	215
	7400	800	38600	145000	112000	440	880	215
	8000	700	50000	163300	130000	465	930	227
	8400	700	56000	187500	135000	475	950	227



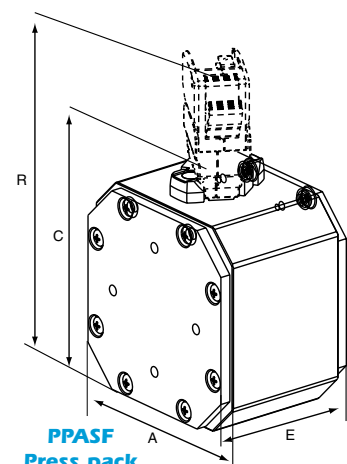
Semiconductor Fuses

PSC - LR range - Size 84




Size	Catalog Number	Weight (g)	Packaging
	12,5 URD 84 TDF 1400		
	12,5 URD 84 TDF 1500		
	12,5 URD 84 TDF 1700		
	11,5 URD 84 TDF 1800		
	11,5 URD 84 TDF 1900		
	11 URD 84 TDF 2000		
	11 URD 84 TDF 2100		
	11 URD 84 TDF 2200		
84	11 URD 84 TDF 2300		
end contacts	11 URD 84 TDF 2400	2300	1
	10 URD 84 TDF 2500		
	10 URD 84 TDF 2600		
	10 URD 84 TDF 2700		
	10 URD 84 TDF 2750		
	9 URD 84 TDF 2900		
	9 URD 84 TDF 3000		
	9 URD 84 TDF 3200		
	8 URD 84 TDF 3400		
	8 URD 84 TDF 3500		
	8 URD 84 TDF 3700		
	7,5 URD 84 TDF 4000		
	7,5 URD 84 TDF 4200		
	12,5 URD 84 PPASF 1550		
	12,5 URD 84 PPASF 1650		
	12,5 URD 84 PPASF 1900		
	11,5 URD 84 PPASF 2000		
	11,5 URD 84 PPASF 2100		
	11 URD 84 PPASF 2200		
	11 URD 84 PPASF 2300		
	11 URD 84 PPASF 2400		
	11 URD 84 PPASF 2500		
	11 URD 84 PPASF 2600		
84	10 URD 84 PPASF 2700	2775	1
press pack	10 URD 84 PPASF 2800		
	10 URD 84 PPASF 2900		
	10 URD 84 PPASF 3000		
	9 URD 84 PPASF 3100		
	9 URD 84 PPASF 3200		
	9 URD 84 PPASF 3350		
	8 URD 84 PPASF 3600		
	8 URD 84 PPASF 3700		
	8 URD 84 PPASF 3850		
	7,5 URD 84 PPASF 4300		
	7,5 URD 84 PPASF 4500		



TDF
End contacts



PPASF
Press pack

Microswitches : MC3E1-5N * - Ref. D310020
 MC3E1-5NBS * - Ref. E310021
 MC3E1-9NBS * - Ref. F310022
 MC3E1-5NET - Ref. L310027

Insulation voltage 1250 VAC - DC (data p 21)

(*) Pending

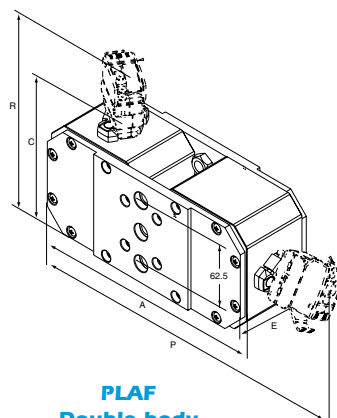


Semiconductor Fuses

PSC - LR range - Size 84

Size	Catalog Number	Weight (g)	Packaging
	14,5 URD 284 PLAF 2000		
	13,5 URD 284 PLAF 2800		
	12 URD 284 PLAF 3000		
	11,5 URD 284 PLAF 3400		
	10,5 URD 284 PLAF 3600		
	10,5 URD 284 PLAF 3800		
	10 URD 284 PLAF 4000		
	10 URD 284 PLAF 4200		
	10 URD 284 PLAF 4400		
	10 URD 284 PLAF 4600		
284*	10 URD 284 PLAF 4800	6100	1
double body	10 URD 284 PLAF 5000		
end contacts	10 URD 284 PLAF 5200		
	10 URD 284 PLAF 5400		
	10 URD 284 PLAF 5500		
	8,5 URD 284 PLAF 5800		
	8,5 URD 284 PLAF 6000		
	8,5 URD 284 PLAF 6400		
	8 URD 284 PLAF 6800		
	8 URD 284 PLAF 7000		
	8 URD 284 PLAF 7400		
	7 URD 284 PLAF 8000		
	7 URD 284 PLAF 8400		

* Press pack available on request



PLAF
Double body
Press pack

Microswitches :	MC3E1-5N		* - Ref. D310020	
	MC3E1-5NBS		* - Ref. E310021	Insulation voltage 1250 VAC - DC (data p 21)
	MC3E1-9NBS		* - Ref. F310022	
	MC3E1-5NET		- Ref. L310027	
	MCR3E1-5N		* - Ref. G310023	
	MCR3E1-5NBS		* - Ref. P310030	
	MCR3E1-9NBS		* - Ref. H310024	Insulation voltage 2200 VAC - DC (data p 21)
	MCR3E1-5NET		- Ref. Q310031	

Threaded studs and microswitches ordered separately

Size	A	C ⁽¹⁾	D	E ^{+1,7}	d	G ^{+0,1} Threaded depth	P	R
84 TDF	103	118	52	98,2	M 12	13	-	165
	4.06"	4.65"	2.05"	3.87"		0.51"		6.5"
84 PPASF	103	118	-	76,8	-	-	-	165
	4.06"	4.65"		3.02"				6.5"
284 PLASF	243	118	-	83,8	M 12	15	290	165
	9.57"	4.65"		3.30"		0.59"	11.42"	6.5"

Dimension in mm and inches

See studs p. 23

See mounting torque and clamping force information p 23

(1) Trip indicator extended

(*) Pending

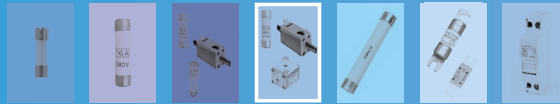


Semiconductor Fuses

950 - 1800 V
4200 - 1050 A

PSC - LR range - Size 93

Size	Ratings	Voltage (V) Un	Pre-Arcing de @ 1ms I ² tp (kA ² s)	Total I ² t @ Un (kA ² s)	I @ 10ms (A)	Power losses (W)		Breaking capacities (kA)
	(A) In					0,8In	In	
	525	1800	66	510	4600	71	142	115
	575	1800	84	650	5200	74	148	115
	600	1800	95	740	5500	76	152	115
	630	1800	110	850	6000	79	157	115
	700	1800	158	1225	7150	83	165	115
	750	1800	186	1438	7700	86	171	115
	850	1800	280	2200	10000	90	180	115
93	900	1700	315	2200	10750	100	200	115
end contacts	950	1700	355	2510	12000	103	205	115
	1000	1700	440	3100	12000	105	210	115
	1100	1400	680	3700	14800	105	210	115
	1250	1400	990	5500	18000	108	215	115
	1400	1200	1440	6500	21500	113	225	220
	1500	1200	1755	8000	24000	115	230	220
	2000	1100	2750	11300	30000	158	315	114
	2100	950	3950	14000	35800	150	300	223
	1050	1800	264	2040	9200	142	284	115
	1150	1800	336	2600	10400	148	296	115
	1200	1800	380	2960	11000	152	304	115
	1250	1800	440	3400	12000	157	314	115
	1400	1800	632	4900	14300	165	330	115
	1500	1800	744	5750	15400	171	342	115
	1700	1800	1120	8800	20000	180	360	115
	1800	1700	1260	8800	21500	200	400	115
	1900	1700	1420	10040	24000	205	410	115
2x93	2000	1600	1760	11500	24000	210	420	115
double body	2200	1300	2720	13500	29600	210	420	115
press pack	2500	1300	3960	20000	36000	215	430	115
or end contacts	2800	1100	5760	23500	43000	225	450	220
	3000	1100	7020	29000	48000	230	460	220
	4000	1000	11000	41100	60000	315	630	235
	4200	950	15800	56000	71600	300	600	222



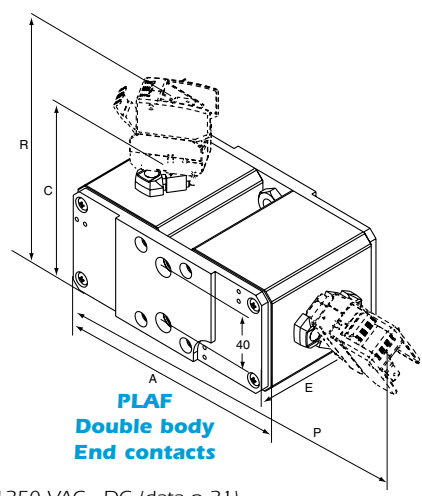
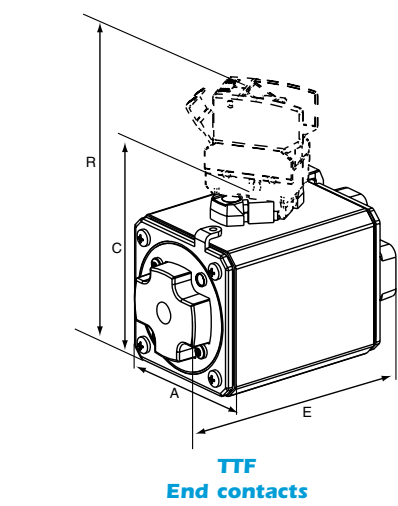
Semiconductor Fuses

PSC - LR range - 93

Size	Catalog Number	Weight (g)	Packaging
	18 URD 93 TTF 525	RU *	
	18 URD 93 TTF 575	RU *	
	18 URD 93 TTF 600	RU *	
	18 URD 93 TTF 630	RU *	
	18 URD 93 TTF 700	RU *	
	18 URD 93 TTF 750	RU *	
	18 URD 93 TTF 850	RU *	
93	17 URD 93 TTF 900	RU	
end contacts	17 URD 93 TTF 950	RU *	2000 1
	17 URD 93 TTF 1000	RU *	
	14 URD 93 TTF 1100		
	14 URD 93 TTF 1250		
	12 URD 93 TTF 1400		
	12 URD 93 TTF 1500		
	11 URD 93 TTF 2000		
	9,5 URD 93 TTF 2100		
	18 URD 293 PLAF 1050		
	18 URD 293 PLAF 1150		
	18 URD 293 PLAF 1200		
	18 URD 293 PLAF 1250		
	18 URD 293 PLAF 1400		
	18 URD 293 PLAF 1500		
	18 URD 293 PLAF 1700		
	17 URD 293 PLAF 1800		
	17 URD 293 PLAF 1900	4010	1
Zx93*	16 URD 293 PLAF 2000		
double body	13 URD 293 PLAF 2200		
end contacts	13 URD 293 PLAF 2500		
	11 URD 293 PLAF 2800		
	11 URD 293 PLAF 3000		
	10 URD 293 PLAF 4000		
	9,5 URD 293 PLAF 4200		

* Press pack available on request

- Microswitches : MC3E1-5N **RU** * - Ref. D310020
 MC3E1-5NBS **RU** * - Ref. E310021 Insulation voltage 1250 VAC - DC (data p 21)
 MC3E1-9NBS **RU** * - Ref. F310022
 MC3E1-5NET - Ref. L310027
 MCR3E1-5N **RU** * - Ref. G310023
 MCR3E1-5NBS **RU** * - Ref. P310030
 MCR3E1-9NBS **RU** * - Ref. H310024 Insulation voltage 2200 VAC - DC (data p 21)
 MCR3E1-5NET - Ref. Q310031



Threaded studs and microswitches ordered separately

Size	A	C ⁽¹⁾	D	E ^{+1.7}	d	G ^{-0.1} threaded depth	P	R
93 TTF	73 2.87"	88 3.46"	-	117,5 4.63"	M 12	9 0.35"	-	135 5.32"
293 PLAF	180 7.09"	88 3.46"	-	104,1 4.10"	M 10	15 0.59"	227 8.94"	135 5.32"

Dimension in mm and inches

See studs p. 23

See mounting torque and clamping force information p 23

(1) Trip indicator extended

(*) Pending



Semiconductor Fuses

950 - 1700 V
7200 - 1550 A

PSC - LR range - Size 94

Size	Ratings	Voltage (V) Un	Pre-Arcing I _t @ 1ms I _{tp} (kA ² s)	Total I _t @ Un I _t (kA ² s)	I @ 10ms (A)	Power losses (W)		Breaking capacities (kA)
	(A) In					0,8In	In	
	1400	1700	741	5100	16000	153	305	115
	1500	1700	891	6130	17000	155	310	115
	1550	1700	988	6800	18000	158	315	115
	1700	1450	1460	7800	22000	160	320	120
	1900	1450	1870	10000	25000	170	340	120
	2000	1300	2270	11000	28000	175	350	115
94	2100	1300	2610	12500	30000	180	360	115
end contacts	2300	1250	3470	15600	34000	185	375	115
	2400	1200	4460	19000	38100	188	385	115
	2750	1100	6170	24000	45000	193	415	235
	3000	1050	7800	29000	51000	208	450	235
	3200	1050	9640	35850	56000	225	500	235
	3600	950	13900	47300	67500	270	540	235
	1550	1700	741	5100	16000	190	380	115
	1650	1700	891	6130	17000	193	385	115
	1700	1700	988	6800	18000	195	390	115
	1850	1450	1460	7800	22000	198	395	120
	2100	1450	1870	10000	25000	215	430	120
94	2200	1300	2270	11000	28000	220	440	115
press pack	2300	1300	2610	12500	30000	225	450	115
	2500	1250	3470	15600	34000	235	470	115
	2600	1200	4460	19000	38100	240	480	115
	3000	1100	6170	24000	45000	255	510	235
	3200	1050	7800	29000	51000	273	545	235
	3400	1050	9640	35850	56000	288	575	235
	3800	950	13900	47300	67500	310	620	235
	2800	1550	2965	17800	32000	305	610	115
	3000	1550	3565	21400	34000	310	620	115
	3100	1550	4000	23700	36000	315	630	115
	3400	1350	5840	29000	44000	320	640	215
	3800	1350	7500	37300	50000	340	680	215
2x94	4000	1250	9080	41000	56000	350	700	215
double body	4200	1250	10440	47000	60000	360	720	215
press pack	4400	1200	12100	51500	63000	370	740	220
or end contacts	4600	1150	13880	56500	68000	375	750	115
	4800	1100	17840	69000	76200	385	770	230
	5500	1050	24700	91800	90000	415	830	235
	6000	1050	31200	116200	102000	450	900	235
	6400	1050	38600	143500	112000	500	1000	235
	7200	950	55600	189200	135000	540	1080	235



Semiconductor Fuses

PSC - LR range - Size 94

Size	Catalog Number	Weight (g)	Packaging
94 end contacts	17 URD 94 TDF 1400	3410	1
	17 URD 94 TDF 1500		
	17 URD 94 TDF 1550		
	14,5 URD 94 TDF 1700		
	14,5 URD 94 TDF 1900		
	13 URD 94 TDF 2000		
	13 URD 94 TDF 2100		
	12,5 URD 94 TDF 2200		
	12,5 URD 94 TDF 2300		
	12 URD 94 TDF 2400		
	11 URD 94 TDF 2750		
	10,5 URD 94 TDF 3000		
	10,5 URD 94 TDF 3200		
	9,5 URD 94 TDF 3600		
94 press pack	17 URD 94 PPAF 1550	2800	1
	17 URD 94 PPAF 1650		
	17 URD 94 PPAF 1700		
	14,5 URD 94 PPAF 1850		
	14,5 URD 94 PPAF 2100		
	13 URD 94 PPAF 2200		
	13 URD 94 PPAF 2300		
	12,5 URD 94 PPAF 2400		
	12,5 URD 94 PPAF 2500		
	12 URD 94 PPAF 2600		
2x94* double body end contacts	11 URD 94 PPAF 3000	7400	1
	10,5 URD 94 PPAF 3200		
	10,5 URD 94 PPAF 3400		
	9,5 URD 94 PPAF 3800		
	15,5 URD 294 PLAF 2800		
	15,5 URD 294 PLAF 3000		
	15,5 URD 294 PLAF 3100		
	13,5 URD 294 PLAF 3400		
	13,5 URD 294 PLAF 3800		
	12,5 URD 294 PLAF 4000		
	12,5 URD 294 PLAF 4200		
	12 URD 294 PLAF 4400		
11,5 URD 294 PLAF 4600			
11 URD 294 PLAF 4800			
10,5 URD 294 PLAF 5500			
10,5 URD 294 PLAF 6000			
10,5 URD 294 PLAF 6400			
9,5 URD 294 PLAF 7200			

* Press pack available on request

Microswitches : MC3E1-5N * - Ref. D310020
 MC3E1-5NBS * - Ref. E310021
 MC3E1-9NBS * - Ref. F310022
 MC3E1-5NET - Ref. L310027
 MCR3E1-5N * - Ref. G310023
 MCR3E1-5NBS * - Ref. P310030
 MCR3E1-9NBS * - Ref. H310024
 MCR3E1-5NET - Ref. Q310031

Insulation voltage 1250 VAC - DC (data p 22)

Insulation voltage 2200 VAC - DC (data p 22)

Threaded studs and microswitches ordered separately

Size	A	C ⁽¹⁾	D	E ^{±1.7}	d	G ^{±0.1}	P	R
94 TDF	103	118	52	118,5	M 12	13	-	165
	4.06"	4.65"	2.05"	4.67"		0.51"		6.5"
94 PPAF	103	118	-	97,1	-	-	-	165
	4.06"	4.65"		3.82"				6.5"
294 PLAF	243	118	-	104,1	M 12	16	290	165
	9.57"	4.65"		4.10"		0.63"	11.42"	6.5"

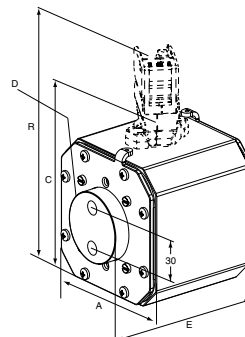
Dimension in mm and inches

See studs p. 23

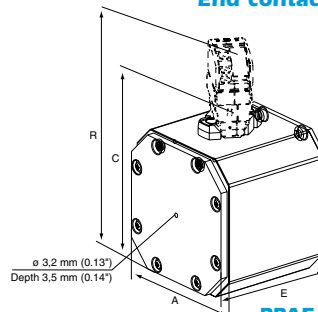
See mounting torque and clamping force information p 23

(1) Trip indicator extended

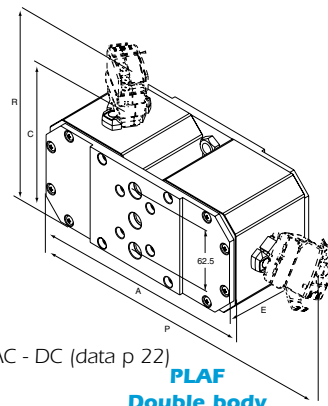
(*) Pending



TDF
End contacts



PPAF
Press pack



PLAF
Double body
End contacts

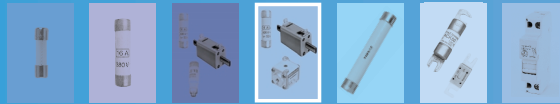


Semiconductor Fuses

1000 - 2500 V
5800 - 800 A

PSC - LR range - Size 123 - 124

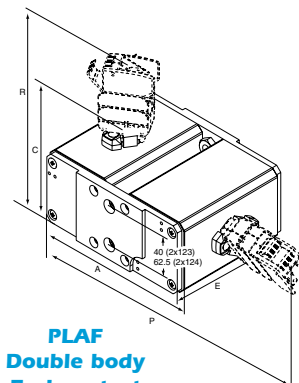
Size	Ratings	Voltage	Pre-Arcing	Total Pt @ Un	I @ 10ms	Power losses (W)		Breaking capacities (kA)
	(A) In	(V) Un	I ² t @ 1ms I ² tp (kA ² s)	(kA ² s)	(A)	0,8In	In	
	630	2 500	207	1 760	8 500	80	160	171
	750	2 200	325	2 330	10 500	86	171	115
	800	2 100	407	2 770	11 500	90	180	113
123	1 100	1 600	990	5 100	18 000	108	216	114
end contacts	1 300	1 500	1 760	8 550	24 000	114	228	106
	1 400	1 300	2 250	9 900	27 000	119	237	100
	1 450	1 250	2 500	10 500	28 500	121	242	116
	1 500	1 200	2 750	11 200	30 000	123	246	116
	1 700	1 100	3 950	15 600	36 000	128	255	231
	800	2 500	205	1 760	8 500	127	254	106
	900	2 500	290	2 460	10 000	137	274	106
2x123	1 100	2 300	585	4 400	14 000	146	291	120
double body	1 200	2 200	760	5 400	16 000	150	299	115
press pack	1 500	2 000	1 300	8 250	21 000	181	361	115
	3 400	1 100	15 800	62 500	72 000	257	513	231
	700	2 500	200	1 700	8 100	101	201	106
	850	2 400	350	2 850	11 000	113	225	106
	1 000	2 200	555	4 000	13 500	140	265	115
124	1 400	2 000	1 750	11 000	23 700	145	290	115
end contacts	1 600	1 900	2 075	12 600	26 000	188	375	170
	2 700	1 200	9 650	39 000	56 000	213	425	120
	2 900	1 100	14 200	55 000	68 000	230	455	230
2x124	1 600	2 200	1 300	9 300	21 000	208	415	115
double body	4 100	1 600	17 500	89 000	76 000	375	750	235
press pack	5 400	1 100	40 000	154 000	113 000	430	850	230
	5 800	1 000	56 500	210 000	136 000	440	870	230



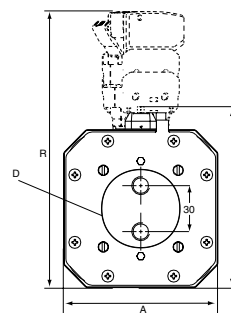
Semiconductor Fuses

PSC - LR range - Size 123 - 124

Size	Catalog Number	Weight (g)	Packaging
	25 URD 123 TTF 0630		
	22 URD 123 TTF 0750		
	21 URD 123 TTF 0800		
	16 URD 123 TTF 1100		
123	15 URD 123 TTF 1300		
end contacts	13 URD 123 TTF 1400		
	12,5 URD 123 TTF 1450	2100	1
	12 URD 123 TTF 1500		
	11 URD 123 TTF 1700		
	25 URD 2123 PLAF 0800		
	25 URD 2123 PLAF 0900		
2x123*	23 URD 2123 PLAF 1100		
end contacts	22 URD 2123 PLAF 1200	4800	1
	20 URD 2123 PLAF 1500		
	11 URD 2123 PLAF 3400		
	25 URD 124 TDF 0700		
	24 URD 124 TDF 0850		
	22 URD 124 TDF 1000		
124	20 URD 124 TDF 1400	4000	1
end contacts	19 URD 124 TDF 1600		
	12 URD 124 TDF 2700		
	11 URD 124 TDF 2900		
2x124*	22 URD 2124 PPAF 1600		
Press Pack	16 URD 2124 PPAF 4100	8500	1
	11 URD 2124 PPAF 5400		
	10 URD 2124 PPAF 5800		



PLAF
Double End contact



TDF
End contact

* End contacts and Press pack available on request

Microswitches :	MCR3E1-5N		* - Ref. G310023	
	MCR3E1-5NBS		* - Ref. P310030	
	MCR3E1-9NBS		* - Ref. H310024	Insulation voltage 2200 VAC - DC (data p 21)
	MCR3E1-5NET		- Ref. Q310031	
	MC2R3E1-5NBS		- Ref. J310025	
	MC2R3E1-9NBS		- Ref. K310026	Insulation voltage 6000 VAC - DC (data p 21)
	MC2R3E1-5NET		- Ref. N310029	

Threaded studs and microswitches ordered separately

Size	A	C ⁽¹⁾	D	E ^{±1.7}	d	G ^{±0.1} threaded depth	P	R
123 TTF	73 2.87"	88 3.46"	-	147,5 5.81"	M 12	9 0.35"		150 5.91"
2123 PLAF	180 7.09"	88 3.46"	-	133,9 5.27"	M 10	15 0.59"	242 9.53"	150 5.91"
124 TDF	103 4.06"	118 4.65"	52 2.05"	148,3 5.84"	M 12	13 0.51"		180 7.1"
2124 PPAF	239 9.41"	118 4.65"	-	133,9 5.27"	-	-	310 12.21"	180 7.1"

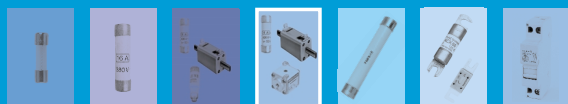
Dimension in mm and inches

See studs p. 23

See mounting torque and clamping force information p 23

(1) Trip indicator extended

(*) Pending

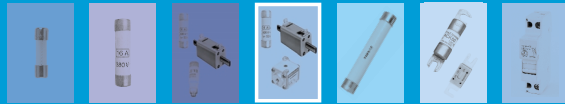


Semiconductor Fuses

2800 - 3800 V
2000 - 400 A

PSC - LR range - Size 173 - 174

Size	Ratings (A) In	Voltage (V) Un	Pre-Arcing I ² t @ 1ms I ² tp (kA ² s)	Total I ² t @ Un (kA ² s)	I @ 10ms (A)	Power losses (W)		Breaking capacities (kA)
						0,8In	In	
173 end contacts	400	3 800	72.5	585	4 850	85	164	134
	500	3 500	155	1 100	7 100	95	185	125
	700	2 900	440	2 600	12 000	100	200	100
	800	2 800	632	3 700	14 000	115	230	100
2x173 double body	1 000	2 300	1 270	6 300	20 000	145	285	100
	800	3 600	290	2 200	9 700	165	325	128
	950	3 300	495	3 400	12 500	180	360	120
	1 400	2 900	1 750	10 000	24 000	200	400	100
174 end contacts	630	3 300	268	1 950	9 300	106	212	114
	850	3 000	650	4 200	14 500	121	241	105
	1 150	2 600	1 543	8 100	22 000	135	270	110
	1 250	2 500	2 077	17 000	26 000	154	307	105
2x174 double body	1 500	2 300	3 472	15 000	33 000	185	370	98
	1 250	3 300	1 072	7 700	18 500	213	425	120
	1 350	3 200	1 250	8 700	20 000	216	432	120
	1 500	3 100	1 680	11 000	23 000	235	470	109
	1 700	2 900	2 610	16 000	29 000	241	482	105
	2 000	2 800	4 350	25 000	37 500	275	550	119

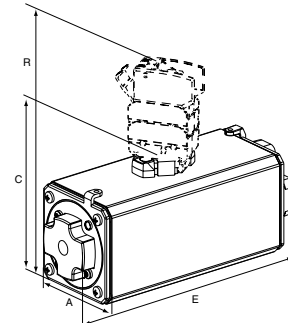


Semiconductor Fuses

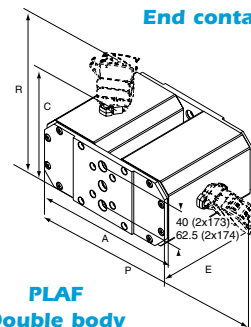
PSC - LR range - Size 173 - 174

Size	Catalog Number	Weight (g)	Packaging
173	38 URD 173 TTF 0400	4300	1
	35 URD 173 TTF 0500		
	29 URD 173 TTF 0700		
	28 URD 173 TTF 0800		
	23 URD 173 TTF 1000		
2173*	36 URD 2173 PLAF 0800	7400	1
	33 URD 2173 PLAF 0950		
	29 URD 2173 PLAF 1400		
174	33 URD 174 TDF 0630	4500	1
	30 URD 174 TDF 0850		
	26 URD 174 TDF 1150		
	25 URD 174 TDF 1250		
	23 URD 174 TDF 1500		
2174*	33 URD 2174 PLAF 1250	9000	1
	32 URD 2174 PLAF 1350		
	31 URD 2174 PLAF 1500		
	29 URD 2174 PLAF 1700		
	28 URD 2174 PLAF 2000		

* Press pack available on request



TTF
End contacts



PLAF
Double body
End contacts

Microswitches : MC2R3E1-5NBS - Ref. J310025
 MC2R3E1-9NBS - Ref. K310026 Insulation voltage 6000 VAC - DC (data p 22)
 MC2R3E1-5NET - Ref. N310029

Threaded studs and microswitches ordered separately

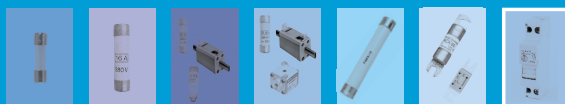
Size	A	C ⁽¹⁾	D	E ^{+1.7}	d	G ^{+0.1} threaded depth	P	R
173 TTF	73	88	-	186	M 12	9		150
	2.9"	3.46"		7.32"		0.35"		5.91"
2173 PLAF	180	88	-	173.5	M 10	15	242	150
	7.09"	3.46"				0.59"	9.53"	5.91"
174 TDF	103	118	-	187	M 12	13		180
	4.06"	4.65"		7.36"		0.51"		7.09"
2174 PLAF	243	118	-	172.5	M 12	16	305	180
	9.57"	4.65"		6.79"		0.63"	12"	7.09"

Dimension in mm and inches

See studs p. 23

See mounting torque and clamping force information p 23

(1) Trip indicator extended



Micro Switches

REMOTE SIGNALING SYSTEMS FOR FERRAZ SHAWMUT FUSES

PERMANENT BLOWN FUSE INDICATION

MANUALLY RESETTABLE

STANDARD AND LOW ELECTRICAL LEVEL TYPE AVAILABLE

TYPE "ET" AVAILABLE FOR VAPOR AND WATERTIGHT APPLICATION

TYPE "BS" AVAILABLE FOR USE IN CORROSIVE APPLICATION

Ref	Type	Catalog Number	AC or DC Insulation voltage rating U (V)	AC voltage withstand test (*)	Impulse voltage test Uimp 1,2/50µs (**)	Positive operating min. voltage /min. current	Current rating	Contact make/break rating													
								Current	Non-inductive circuit			Inductive circuit L/R = 25 ms									
									30V	110V	250V	30V	110V	250V							
D310020	Standard	MC3E 1-5N	1250 V	15 kV	20 kV	20V	5 A	50/60 Hz	10 A	10 A	7 A			6 A							
G310023		MCR3E 1-5N	2200 V	20 kV	30 kV	50 mA		DC	5 A	0,5 A			16 A	0,3 A							
E310021	Low level	MC3E 1-5NBS	1250 V	15 kV	20 kV	10V 10 mA	3 A	50/60 Hz	3 A	3 A	3 A	2 A	1 A	1 A							
F310022		MC3E 1-9NBS																			
P310030		MCR3E 1-5NBS	2200 V	20 kV	23 kV			30 kV	DC	10 A	10 A	7 A			6 A						
H310024		MCR3E 1-9NBS																			
J310025	Watertight IP 50	MC2R3E 1-5NBS	6000 V	24 kV	40 kV	10V 10 mA	3 A	50 Hz		3 A	0,5 A	1 A	1 A								
K310026		MC2R3E 1-9NBS		26 kV																	
L310027		MC3E 1-5NET		11 kV																	
Q310031	Standard	MCR3E 1-5NET	2200 V	20 kV	30 kV	50 mA 10 mA 10 mA	10 A 3 A 3 A	50/60 Hz DC	8 A	0,4 A	0,2 A	4 A	0,2 A	0,1 A							
N310029		MC2R3E 1-5NET	6000 V	24 kV	40 kV				DC	0,5 A		0,2 A									
J3100002		MS7V 1-5	1500 V	12 kV	20 kV				50 mA 10 mA 10 mA	10 A 3 A 3 A	50/60 Hz DC	8 A	0,4 A	0,2 A	4 A	0,2 A	0,1 A				
Z310039		MS7V 1-5 UR																			
K310003		MS7V 1-5BS																			
P310007		MS7V 1-9BS																			
S310010		MS7V 1-9ET																			

Catalog Numbering system: MC.E 1-5, MS7V 1-5 single pole microswitch

MC.E 1-9, MS7V 1-9 double pole microswitch

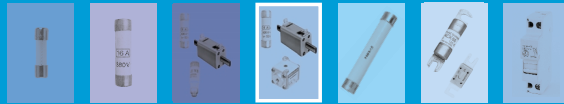
MCR... MC2R... reinforced insulation microswitch.

* Between power circuit and microswitch terminals as per IEC 60 and 694 and NFC 64010 (50/60 Hz 1 min duration in dry air).

** Between power circuit and microswitch terminals impulse voltage according to IEC 947-1.

*** Between power circuit and microswitch terminals

Each microswitch weighs less than 100g, therefore no fume and smoke grade is required by NF F16102 standard



Mounting studs for semiconductor fuses

PSC - LR range

Material	Designation	Maximum torque (Nm ±3%)		Ref.Number	Packaging
		with balancing	without balancing		
Standard Bichromate Zinc plated steel	Stud M8X20			V099171F	6 pairs
	Stud M8X25			B099177F	6 pairs
	Stud M8X30	13,5	13,5	S099284F	6 pairs
	Stud M8X50			E099916F	6 pairs
	Stud M8X60			F099917F	6 pairs
	Stud M10X25			Y099197F	6 pairs
	Stud M10X30			M099946F	6 pairs
	Stud M10X35	26	26	G099918F	6 pairs
	Stud M10X40			H099919F	6 pairs
	Stud M10X45			K099944F	6 pairs
	Stud M10X70			L099945F	6 pairs
	Stud M12X25			B099200F	6 pairs
	Stud M12X35			J099966F	6 pairs
	Stud M12X40	46	15	P099948F	6 pairs
	Stud M12X45			Q099949F	6 pairs
	Stud M12X60			F099963F	6 pairs
Stud M12X80			G099964F	6 pairs	
Studs for laden atmosphere Stainless steel	Stud M8X30 BS			K099967F	6 pairs
	Stud M8X35 BS	13,5	13,5	L099968F	6 pairs
	Stud M8X40 BS			N099970F	6 pairs
	Stud M8X50 BS			P099971F	6 pairs
	Stud M10X35 BS			S098134F	6 pairs
	Stud M10X50 BS	26	26	Q099972F	6 pairs
	Stud M10X70 BS			T099975F	6 pairs
	Stud M12X35 BS			V099976F	6 pairs
	Stud M12X40 BS	46	15	W099977F	6 pairs
	Stud M12X45 BS			X099978F	6 pairs
Stud M12X70 BS			Y099979F	6 pairs	

Studs unusable length because of the tool : - M8 = 5 mm ; M10 = 6 mm ; M12 = 8 mm (DIN 913 standard)

Mounting torque and clamping force information.

SIZE 73, 93, 123, 173

Press Pack :

- Single body Max clamping force : 5000 daN for a contact surface from a diameter of 60 mm or a square of 53 x 53 mm
- Double body Max. clamping force : 4 000 daN a contact surface from a diameter of 60 mm or a square of 53 x 53 mm
- mini. Pressure contact recommended > 0.4 daN/mm²

End contacts:

- Max. tightening torque :
 - TTF 46 Nm (M12)
 - TDF 46 Nm (M12)

Size 44, 84, 94, 124, 174

Press Pack :

- Single body Max clamping force : 8000 daN for a contact surface from a diameter of 88 mm or a square of 80 x 80 mm
- Double body Max. clamping force : 12 000 daN a contact surface from a diameter of 88 mm or a square of 80 x 80 mm
- mini. Pressure contact recommended > 0.4 daN/mm²

End contacts:

- Max. tightening torque :
 - TDF 46 Nm (M12)
 - TOF 26 Nm (M10)

